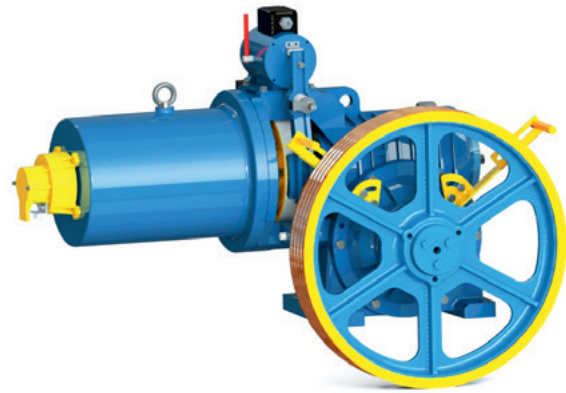


# ► TDS-IGD15

## ELEVATOR TRACTION MACHINE

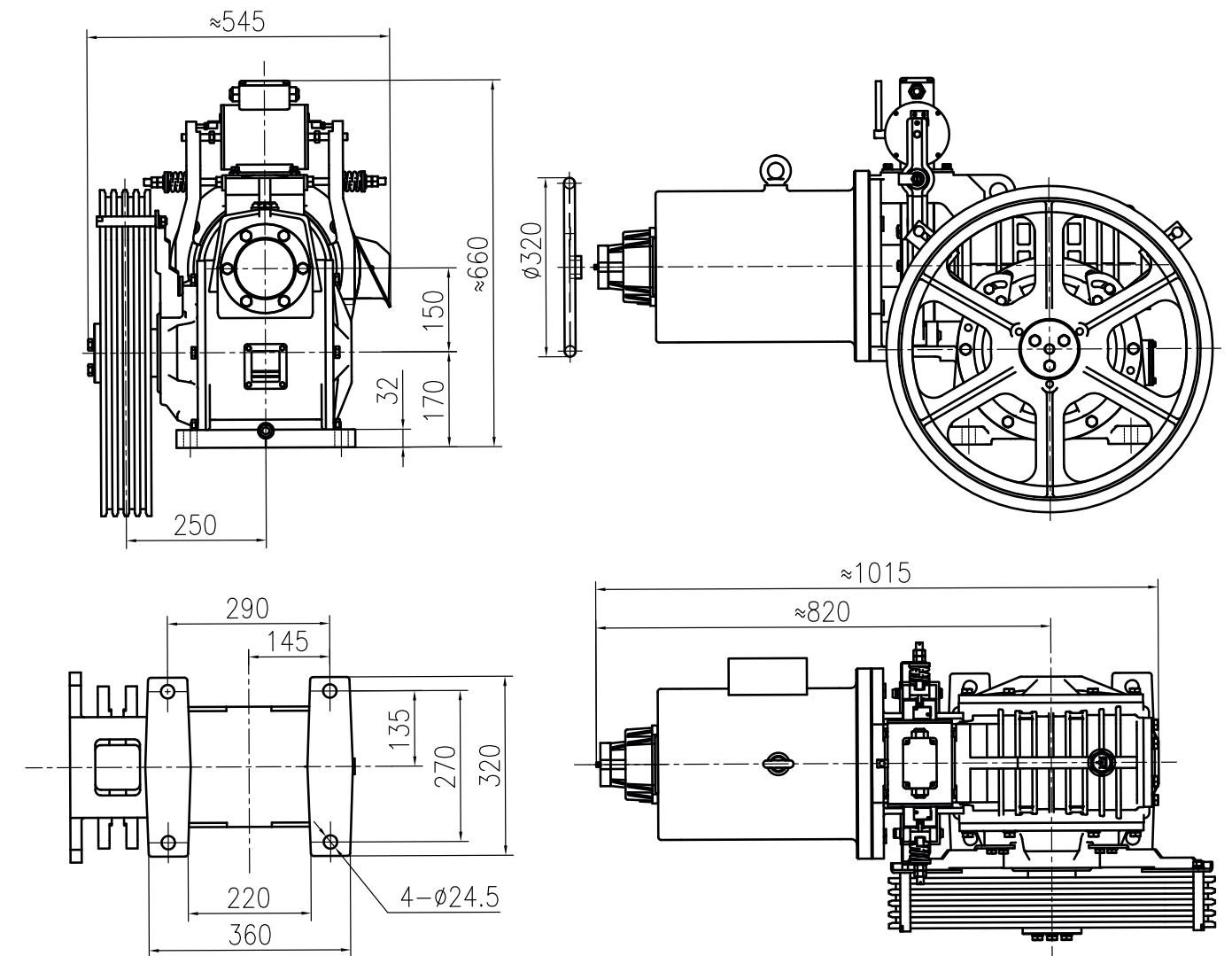
Suspension	1 : 1
Max.Static Load	3500kg
Control	VVVF
DZE-9EA Brake	DC110V 1.5A
Weight	310kg



### ► TECHNICAL DATA

Spec	Capacity (Kg)	Speed	Power (Kw)	Pole	Gear Ratio	Power Source (Vac)	Current (A)	Motor Speed	Sheave Dia (mm)	Rope Dia (mm)	No Of Ropes (#)	Pitch
TDS-IGD15-61P0-10MM	680	1.0	8.5	4	37:1	380	17	1465	480	10	5	15
TDS-IGD15-61P0-13MM	680	1.0	7.5	4	37:1	380	15	1360	520	13	4	20
TDS-IGD15-61P5-10MM	680	1.5	10	4	45:2	380	19	1360	480	10	5	16
TDS-IGD15-61P5-13MM	680	1.5	11	4	45:2	380	21.5	1320	520	13	4	20

### ► MACHINE'S DIMENSION



The dimension of mounting hole

### REMARK

As shown is right sheave type, left sheave type is optional.