



# ▶ TDS-IGD00

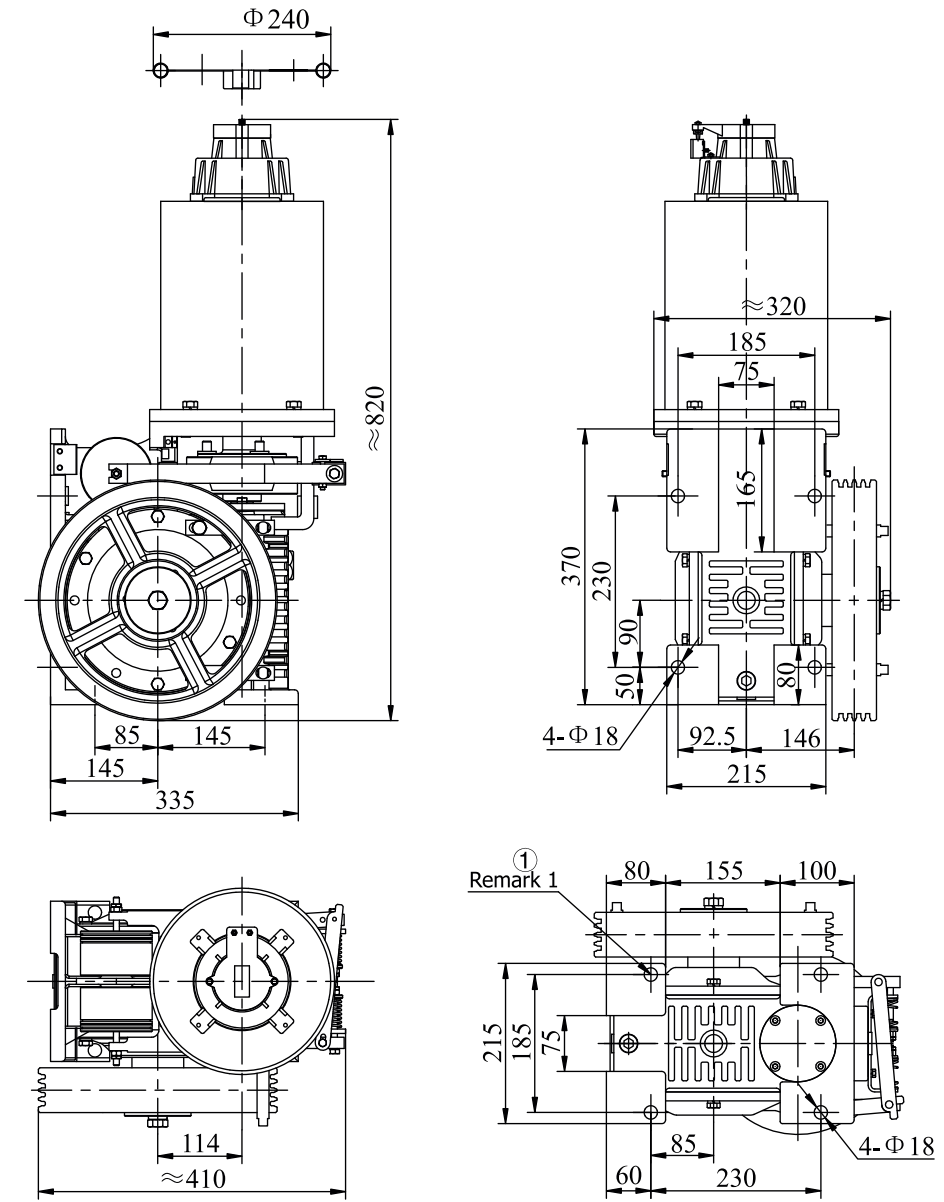
## ELEVATOR TRACTION MACHINE

Suspension	1 : 1
Max.Static Load	1800kg
Control	VVVF
DZE-8E Brake	DC110V 1.4A
Weight	155kg

### ▶ TECHNICAL DATA

Spec	Capacity (Kg)	Speed	Power (Kw)	Pole	Gear Ratio	Power Source (Vac)	Current (A)	Motor Speed	Sheave Dia (mm)	Rope Dia	No of Ropes	Pitch
TDS-IGD00-31P0-8MM	320	1.0	3.5	4	45:2	380	7.5	1440	320	8	4	12

### ▶ MACHINE'S DIMENSION



The dimension of mounting hole

#### REMARK

- 1.As shown is right sheave type, left sheave type is optional.
- 2.Please reverse to fix the bolt at mark ⊖ .