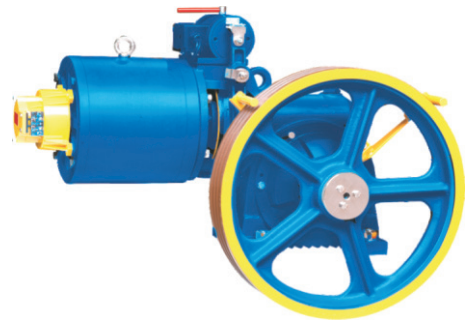


▶ TDS-IGD05



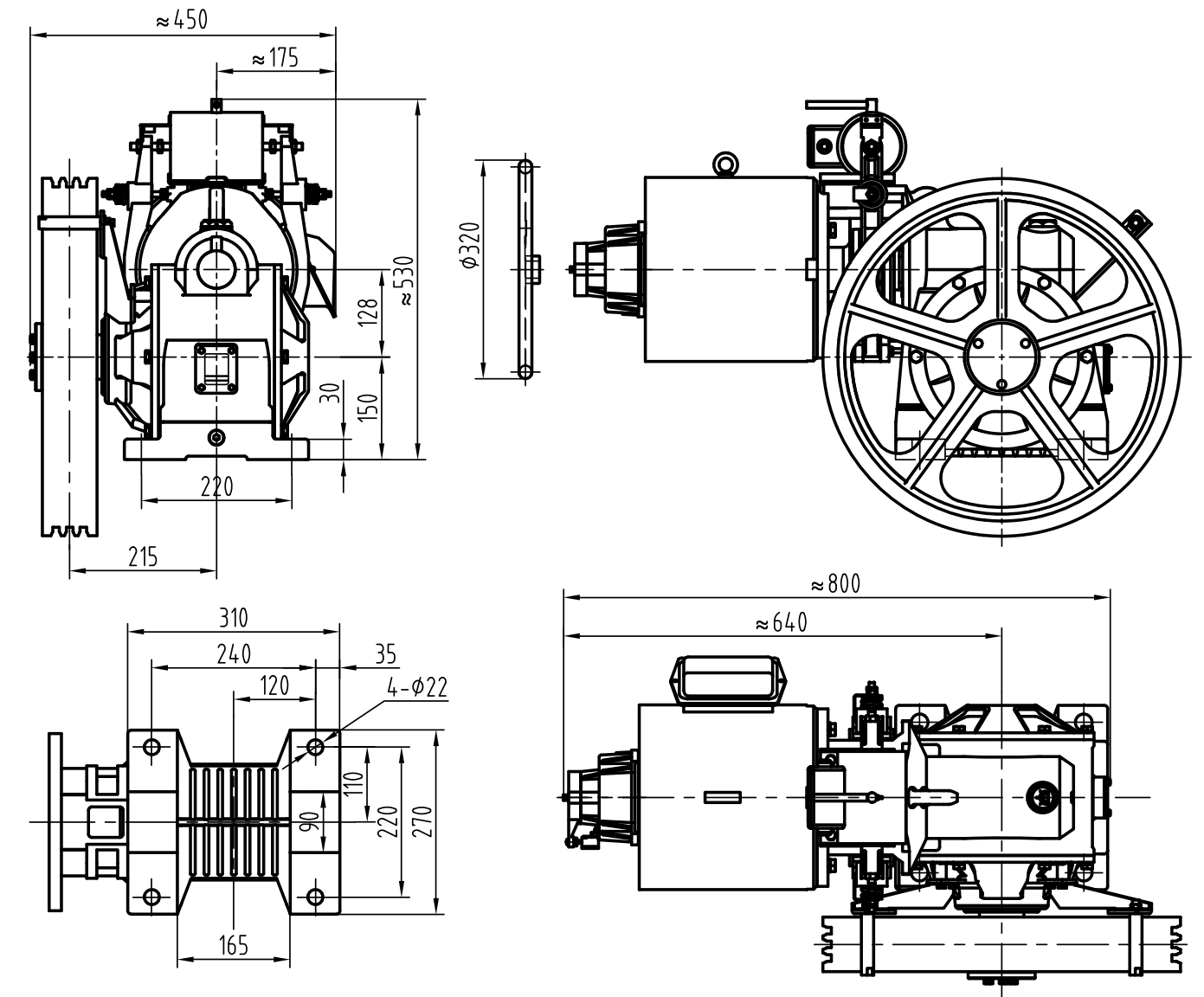
ELEVATOR TRACTION MACHINE

Suspension	1 : 1
Max.Static Load	2000kg
Control	VVVF
DZE-8E Brake	DC110V 1A
Weight	195kg

▶ TECHNICAL DATA

Spec	Capacity (Kg)	Speed	Power (Kw)	Pole	Gear Ratio	Power Source (Vac)	Current (A)	Motor Speed	Sheave Dia (mm)	Rope Dia (mm)	No Of Ropes (#)	Pitch
TDS-IGD05-41P0-13MM	408	1.0	4.0	4	37:1	380	8.5	1360	520	13	3	20

▶ MACHINE'S DIMENSION



The dimension of mounting hole

REMARK

As shown is right sheave type, left sheave type is optional.