



TDS-IGL54

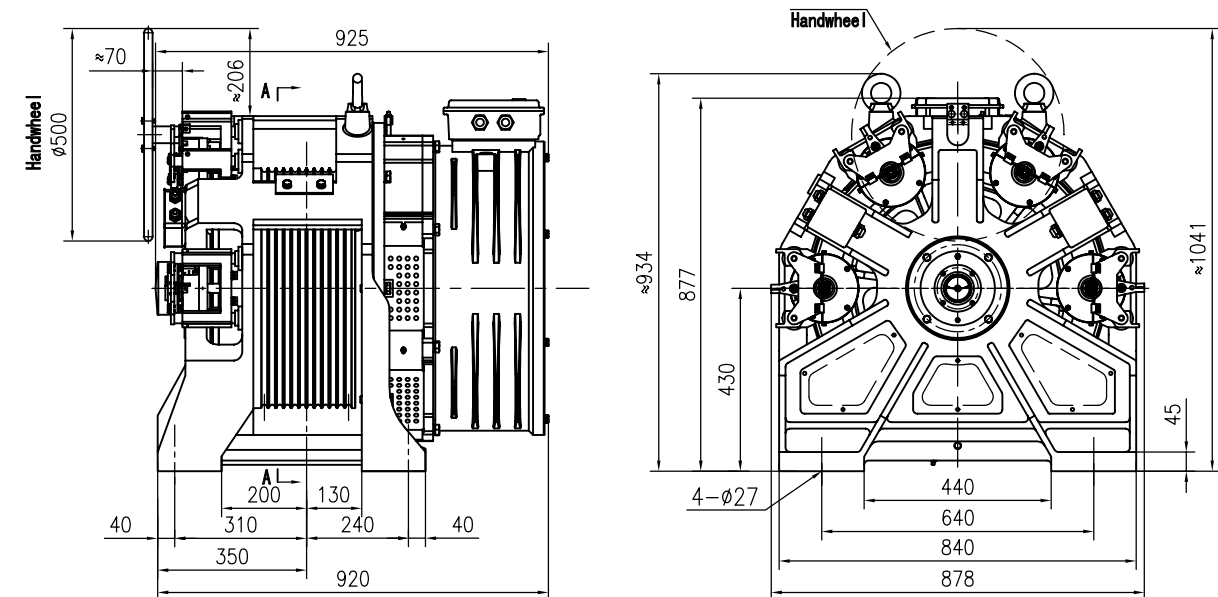
ELEVATOR TRACTION MACHINE

Suspension	2 : 1
Voltage	380V
Pole	20
Rating	S5 (50%)
INS. Class	F
IP Code	IP21
PZD140B Brake	DC110V 2x0.89A
PZD140 Brake	DC110V 4x0.69A
Max. Static Load	14000kg
Weight	1120kg

TECHNICAL DATA

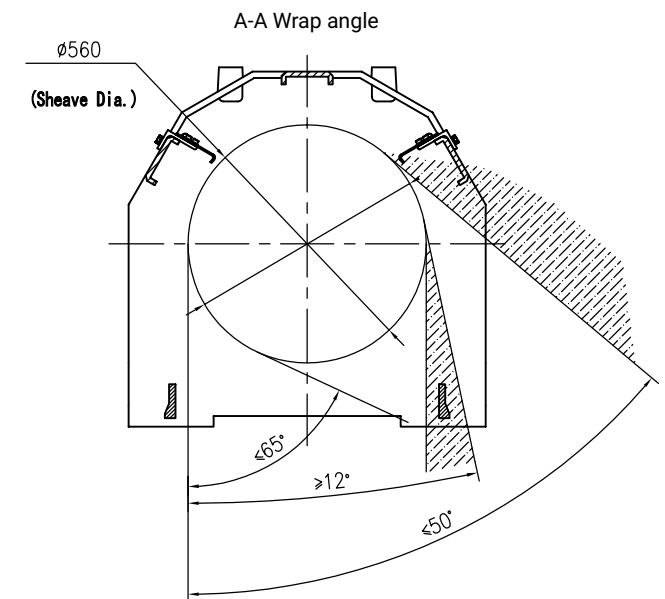
Spec	Load (kg)	Lift Speed (m/s)	Sheave Dia.(mm)	Rope Groove (mm)	Double Roping	Current (A)	Torque (Nm)	Rated Speed (rpm)	Frequency (Hz)	Power (kW)
TDS-IGL54-103P0-13MM	1020	3.0	Φ560	10xΦ13x18	YES	42.8	955	205	34.2	20.5
TDS-IGL54-104P0-13MM		4.0				56.5	955	273	45.5	27.3
TDS-IGL54-123P0-13MM	1292	3.0	Φ560	10xΦ13x18	YES	53.3	1190	205	34.2	25.5
TDS-IGL54-124P0-13MM		4.0				72	1190	273	45.5	34
TDS-IGL54-133P0-13MM	1360	3.0	Φ560	10xΦ13x18	YES	57.2	1290	205	34.2	27.7
TDS-IGL54-134P0-13MM		4.0				75.5	1290	273	45.5	36.9
TDS-IGL54-162P5-13MM	1600	2.5	Φ560	12xΦ13x18	YES	56.5	1525	171	28.5	27.3
TDS-IGL54-163P0-13MM		3.0				69.5	1525	205	34.2	32.7
TDS-IGL54-164P0-13MM	4.0	93	1525	273	45.5	43.6				
TDS-IGL54-202P5-13MM	2000	2.5	Φ560	12xΦ13x18	YES	72	1910	171	28.5	34.2
TDS-IGL54-203P0-13MM		3.0				90	1910	205	34.2	41
TDS-IGL54-204P0-13MM	4.0	120	1910	273	45.5	54.3				

DIMENSIONS



REMARK

PZD140B for 1000-1350kg; PZD140 for 1600-2000kg.



Note: the angle of the wire rope is around the range shown above, avoiding the shadow part.