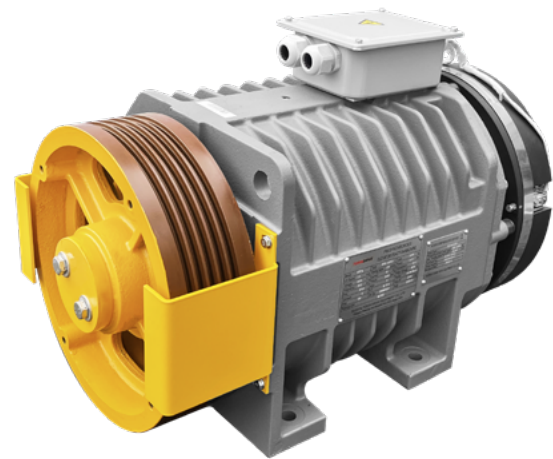


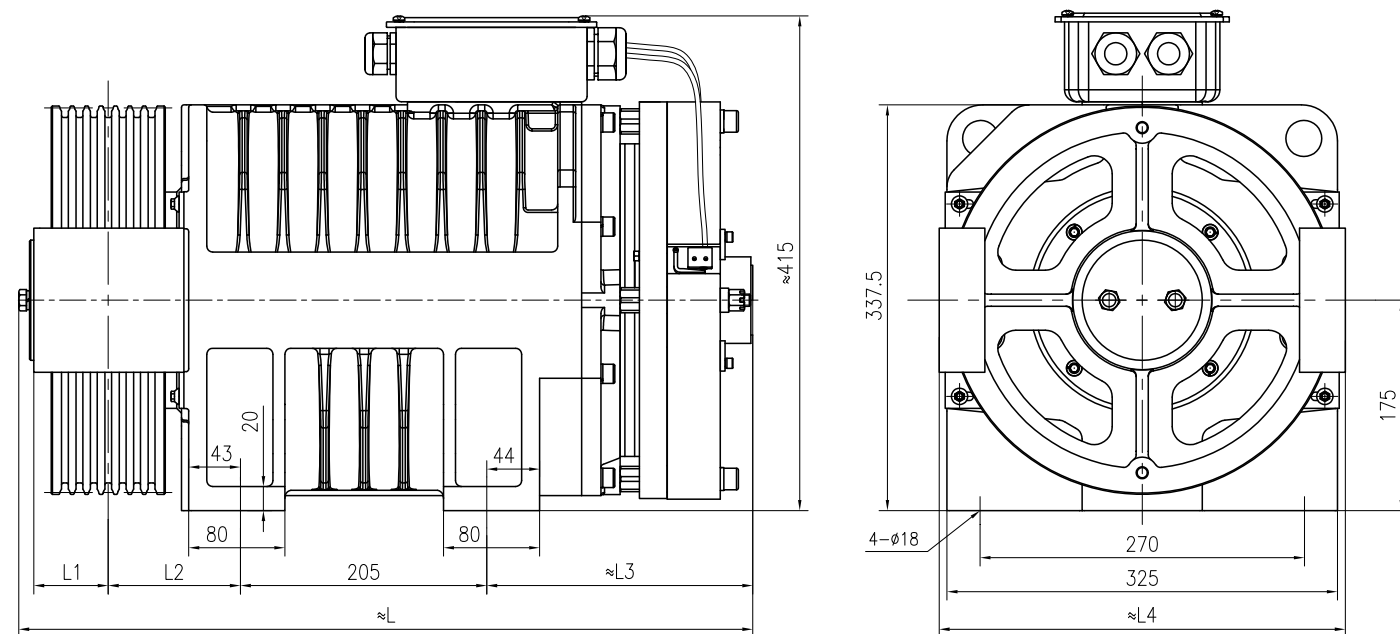
TDS-RGL21N



ELEVATOR TRACTION MACHINE

Suspension	2 : 1
Voltage	380V
Pole	20
Rating	S5 (40%)
INS. Class	F
IP Code	IP41
PZ1400B Brake	DC110V 2x0.9A (2x1.17A)
Max. Static Load	3500kg
Weight	245kg

DIMENSIONS



REMARK

1. The maximum static load is 3000kg when the load is ≤ 1020 kg.
2. When this machine is used for loading ≤ 1020 kg, the current of brakes is $2 \times 0.9A$; when this machine is used for loading > 1020 kg, the current of brakes is $2 \times 1.17A$.
3. The standard configuration of this machine does not include manual brake release. Customers are required to provide their own electric brake release device. The manual brake release is optional to provide if the customer need it.

TECHNICAL DATA

Spec	Load (kg)	Lift Speed (m/s)	Sheave Dia.(mm)	Rope Groove (mm)	Current (A)	Torque (Nm)	Rated Speed (rpm)	Frequency (Hz)	Power (kW)	L1	L2	L3	L4	L5
TDS-RGL21N-81P0B-6MM		1.0			13.5	310	159	26.5	5.2					
TDS-RGL21N-81P5B-6MM		1.5			20	310	239	39.8	7.8					
TDS-RGL21N-81P6B-6MM	884	1.6	∅240	8×∅6.5×12	21.5	310	255	42.5	8.3	75	133	223	330	640
TDS-RGL21N-81P7B-6MM		1.75			21.5	310	279	46.5	9.1					
TDS-RGL21N-81P0-8MM		1.0			14	401	120	20	5					
TDS-RGL21N-81P5-8MM		1.5			20.2	420	179	29.8	7.9					
TDS-RGL21N-81P6-8MM	884	1.6	∅320	6×∅8×12	20.2	420	192	32	8.4	62	110	223	350	615
TDS-RGL21N-81P7-8MM		1.75			21.7	420	209	34.8	9.2					
TDS-RGL21N-82P0-8MM		2.0			23.5	420	239	39.8	10.5					
TDS-RGL21N-101P0B-6MM		1.0			16.6	380	159	26.5	6.3					
TDS-RGL21N-101P5B-6MM		1.5			24.5	380	239	39.8	9.5					
TDS-RGL21N-101P6B-6MM	1020	1.6	∅240	9/10×∅6.5×12	26.3	380	255	42.5	10.1	75	133	223	330	640
TDS-RGL21N-101P7B-6MM		1.75			26.3	380	279	46.5	11.1					
TDS-RGL21N-101P0-8MM		1.0			17.6	506	120	20	6.4					
TDS-RGL21N-101P5-8MM		1.5			26	525	179	29.8	9.8					
TDS-RGL21N-101P6-8MM	1020	1.6	∅320	7×∅8×12	26	525	192	32	10.6	62	110	223	350	615
TDS-RGL21N-101P7-8MM		1.75			27.5	525	209	34.8	11.5					
TDS-RGL21N-102P0-8MM		2.0			29.4	525	239	39.8	13.1					
TDS-RGL21N-111P0-8MM		1.0			18.2	615	120	20	7.7					
TDS-RGL21N-111P5-8MM		1.5			30	615	179	29.8	11.5					
TDS-RGL21N-111P6-8MM	1156	1.6	∅320	7×∅8×12	30	615	192	32	12.4	62	110	265	350	657
TDS-RGL21N-111P7-8MM		1.75			30	615	209	34.8	13.5					
TDS-RGL21N-112P0-8MM		2.0			33.6	615	239	39.8	15.4					