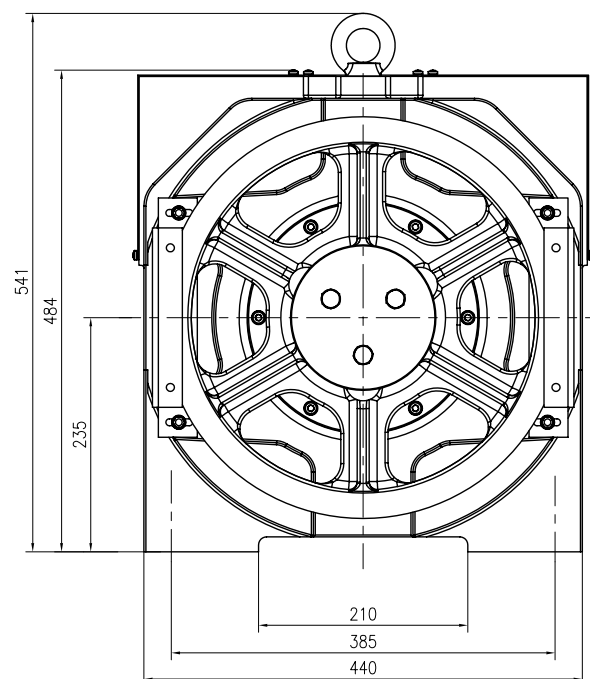
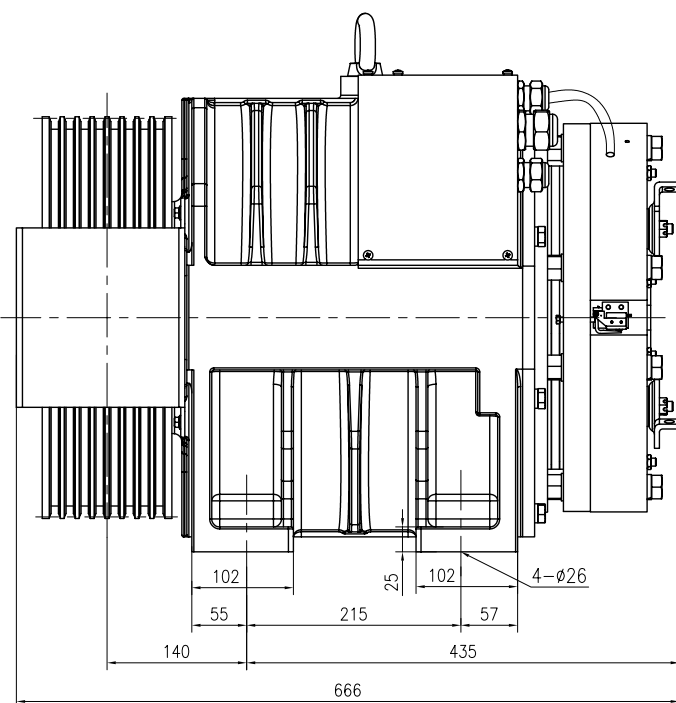


TDS-RGL35

ELEVATOR TRACTION MACHINE

Suspension	2 : 1
Voltage	380V
Pole	32
Rating	S5 (40%)
INS. Class	F
IP Code	IP41
PZ2500B Brake	DC110V 2x2.1A
Max. Static Load	5500kg
Weight	450kg

DIMENSIONS



TECHNICAL DATA

Spec	Load (kg)	Lift Speed (m/s)	Sheave Dia.(mm)	Rope Groove (mm)	Current (A)	Torque (Nm)	Rated Speed (rpm)	Frequency (Hz)	Power (kW)
TDS-RGL35-111P0-10MM		1.0			19.3	730	96	25.6	7.3
TDS-RGL35-111P5-10MM		1.5			33	730	143	38.1	10.9
TDS-RGL35-111P6-10MM		1.6			33	730	153	40.8	11.7
TDS-RGL35-111P7-10MM	1156	1.75	Φ400	6×Φ10×16	33	730	167	44.5	12.8
TDS-RGL35-112P0-10MM		2.0			37.2	730	191	50.9	14.6
TDS-RGL35-112P5-10MM		2.5			47	730	239	63.7	18.3
TDS-RGL35-113P0-10MM		3.0	Φ450	6×Φ10×16	56.2	820	255	68	21.9
TDS-RGL35-121P0-10MM		1.0			22.3	795	96	25.6	8
TDS-RGL35-121P5-10MM		1.5			37.5	795	143	38.1	11.9
TDS-RGL35-121P6-10MM		1.6			37.5	795	153	40.8	12.7
TDS-RGL35-121P7-10MM	1292	1.75	Φ400	7×Φ10×16	37.5	795	167	44.5	13.9
TDS-RGL35-122P0-10MM		2.0			41	795	191	50.9	15.9
TDS-RGL35-122P5-10MM		2.5			50.7	795	239	63.7	19.9
TDS-RGL35-123P0-10MM		3.0	Φ450	7×Φ10×16	57.5	890	255	68	23.8
TDS-RGL35-131P0-10MM		1.0			24	855	96	25.6	8.6
TDS-RGL35-131P5-10MM		1.5			40.3	855	143	38.1	12.8
TDS-RGL35-131P6-10MM		1.6			40.3	855	153	40.8	13.7
TDS-RGL35-131P7-10MM	1360	1.75	Φ400	7×Φ10×16	40.3	855	167	44.5	15
TDS-RGL35-132P0-10MM		2.0			44.1	855	191	50.9	17.1
TDS-RGL35-132P5-10MM		2.5			54.5	855	239	63.7	21.4
TDS-RGL35-133P0-10MM		3.0	Φ450	7×Φ10×16	62.3	965	255	68	25.8
TDS-RGL35-161P0-10MM		1.0			27	1015	96	25.6	10.2
TDS-RGL35-161P5-10MM		1.5			47	1015	143	38.1	15.2
TDS-RGL35-161P6-10MM		1.6			47	1015	153	40.8	16.3
TDS-RGL35-161P7-10MM	1600	1.75	Φ400	8×Φ10×16	47	1015	167	44.5	17.7
TDS-RGL35-162P0-10MM		2.0			50.4	1015	191	50.9	20.3
TDS-RGL35-162P5-10MM		2.5			64	1015	239	63.7	25.4

REMARK

The standard configuration of this machine does not include manual brake release. Customers are required to provide their own electric brake release device.
The manual brake release is optional to provide if the customer need it.