

► TDS-IGL15

ELEVATOR TRACTION MACHINE

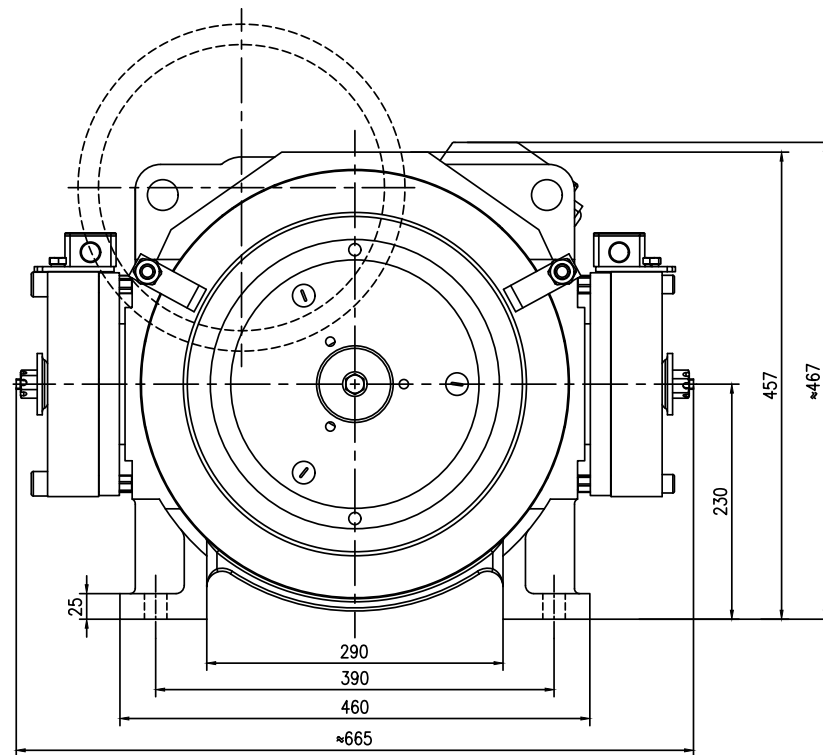
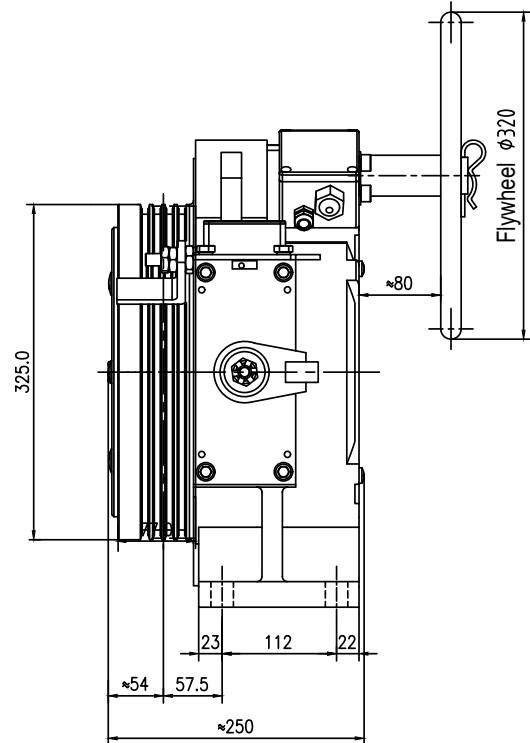
Suspension	2 : 1
Voltage	380V
Pole	32
Rating	S5 (40%)
INS. Class	F
IP Code	IP41
FZD10 Brake	DC110V 2×0.84A (408 Kg) DC110V 2×1.46A (544 Kg)
Max. Static Load	2000 kg
Weight	190 kg



TECHNICAL DATA

Spec	Load (kg)	Lift Speed (m/s)	Sheave Dia.(mm)	Rope Groove (mm)	Current (A)	Torque (Nm)	Rated Speed (rpm)	Frequency (Hz)	Power (kW)
TDS-IGL15-41P0-8MM	408	1.0	φ325	4xφ8x12	8.3	265	118	31.5	3.3
TDS-IGL15-51P0-8MM		1.0			8.6	290	118	31.5	3.6
TDS-IGL15-51P5-8MM	544	1.5	φ325	5xφ8x12	12.4	290	177	47.2	5.4
TDS-IGL15-51P7-8MM		1.7			14.3	290	206	54.9	6.3
TDS-IGL15-61P0-8MM	680	1.0	φ325	5xφ8x12	9.6	325	118	31.5	4

► DIMENSIONS



REMARK

1. For machine room less, the standard configuration of this machine does not include manual brake release. Customers are required to provide their own electric brake release device.
2. The manual brake release is optional to provide if the customers need it.