

► TDS-IGL21M

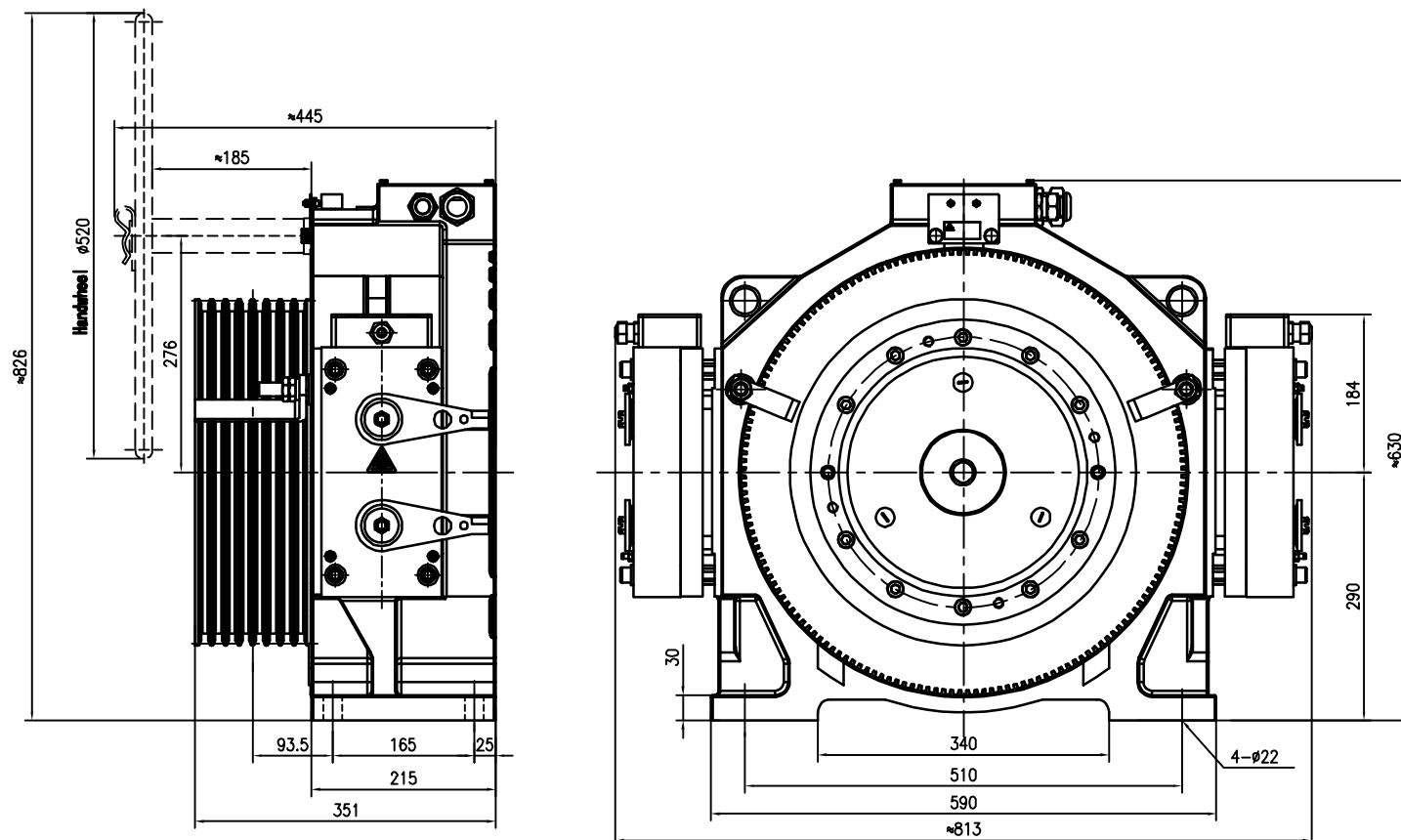
ELEVATOR TRACTION MACHINE

Suspension	2 : 1
Voltage	380V
Pole	32
Rating	S5 (40%)
INS. Class	F
IP Code	IP41
FZD14 Brake	DC110V 2×2A
Max. Static Load	5000 kg
Weight	400 kg

TECHNICAL DATA

Spec	Load (kg)	Lift Speed (m/s)	Sheave Dia.(mm)	Rope Groove (mm)	Current (A)	Torque (Nm)	Rated Speed (rpm)	Frequency (Hz)	Power (kW)
TDS-IGL21M-131P0-10MM		1.0			20	857	96	25.6	8.6
TDS-IGL21M-131P5-10MM	1360	1.5	φ400	7×φ10×16	29.5	857	144	38.4	12.9
TDS-IGL21M-131P7-10MM		1.7			33.6	857	167	44.8	15
TDS-IGL21M-161P0-10MM		1.0			22.9	1015	96	25.6	10.2
TDS-IGL21M-161P5-10MM	1600	1.5	φ400	8×φ10×16	35	1015	144	38.4	15.3
TDS-IGL21M-161P7-10MM		1.7			39	1015	167	44.8	17.7

► DIMENSIONS



REMARK

1. For machine room less, the standard configuration of this machine does not include manual brake release. Customers are required to provide their own electric brake release device.
2. The manual brake release is optional to provide if customer need it.