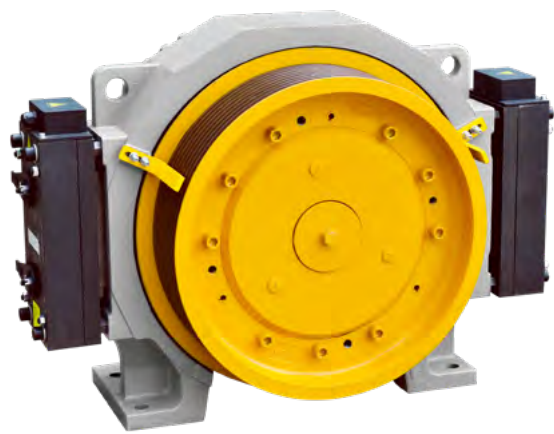


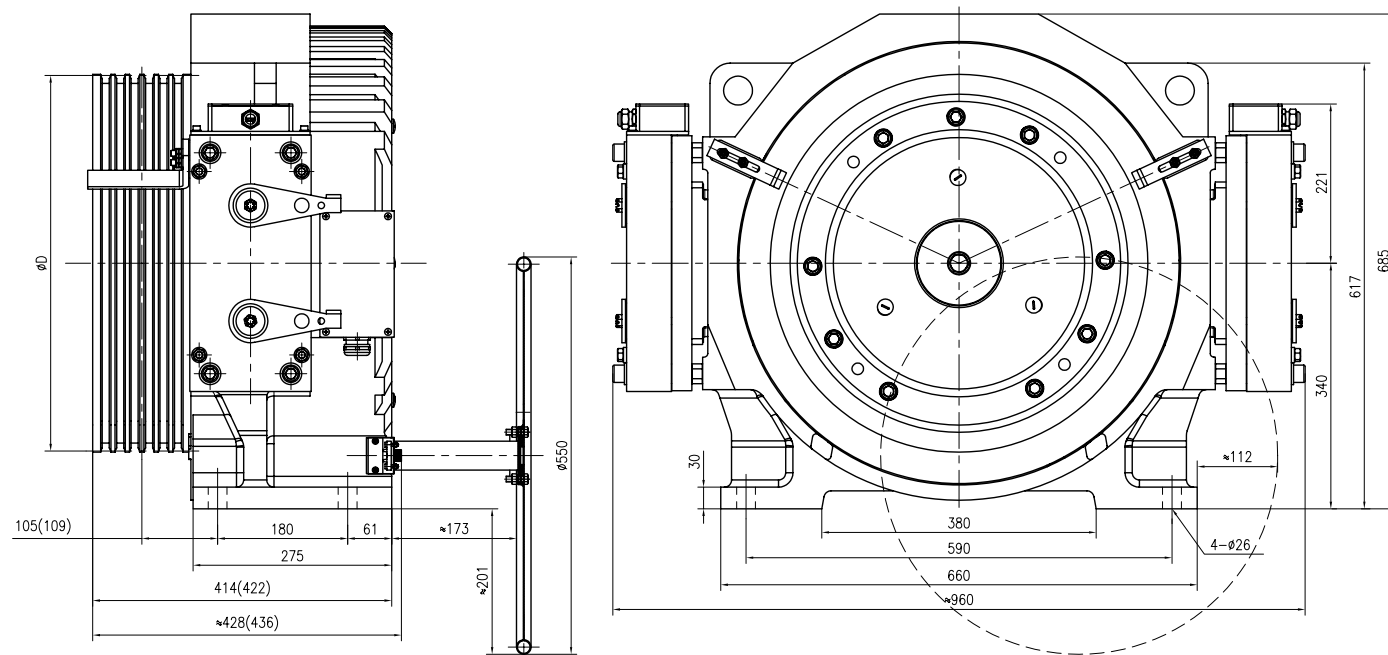
► TDS-IGL21TL



ELEVATOR TRACTION MACHINE

Suspension	2 : 1
Voltage	380V
Pole	32
Rating	S5 (40%)
INS. Class	F
IP Code	IP41
FZD15 Brake	DC110V 2x2.2A
Max. Static Load	6000 kg
Weight	720 kg

► DIMENSIONS



TECHNICAL DATA

Spec	Load (kg)	Lift Speed (m/s)	Sheave Dia.(mm)	Rope Groove (mm)	Current (A)	Torque (Nm)	Rated Speed (rpm)	Frequency (Hz)	Power (kW)
TDS-IGL21TL-123P0-10MM	1292	3.0	Ø 550	6×Ø 10×16	54.6	1125	208	55.5	24.5
TDS-IGL21TL-133P0-10MM	1360	3.0	Ø 550	7×Ø 10×16	58.6	1215	208	55.5	26.5
TDS-IGL21TL-163P0-10MM	1600	3.0	Ø 550	8×Ø 10×16	68	1440	208	55.5	31.4
TDS-IGL21TL-201P0-10MM		1.0			29.1	1520	79	21.1	12.6
TDS-IGL21TL-201P5-10MM		1.5			43.4	1520	118	31.5	18.8
TDS-IGL21TL-201P7-10MM	2000	1.7	Ø 485	8×Ø 10×16	48.6	1520	138	36.8	22
TDS-IGL21TL-202P0-10MM		2.0			55.5	1520	158	42.1	25.1
TDS-IGL21TL-202P5-10MM		2.5			69.2	1520	197	52.5	31.4
TDS-IGL21TL-251P0-10MM		1.0			34.8	1820	79	21.1	15.1
TDS-IGL21TL-251P5-10MM	2500	1.5	Ø 485	9×Ø 10×15	52	1820	118	31.5	22.5
TDS-IGL21TL-251P7-10MM		1.7			58.2	1820	138	36.8	26.3
TDS-IGL21TL-252P0-10MM		2.0			66.5	1820	158	42.1	30.1
TDS-IGL21TL-251P0-13MM	2500	1.0	Ø 520	7×Ø 13×20	33.4	1910	73	19.5	14.6

REMARK

1. For machine room less, the standard configuration of this machine does not include manual brake release. Customers are required to provide their own electric brake release device.
2. The manual brake release is optional to provide if the customer need it.
3. The dimension in bracket is applied to Ø 485× 9×Ø 10×15 or Ø 520×7×Ø 13×20 Groove arrangement.