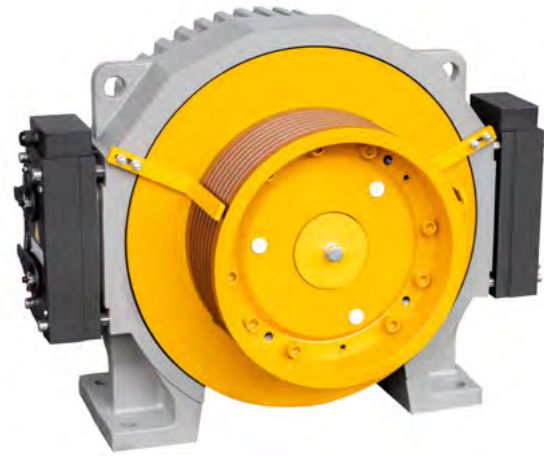


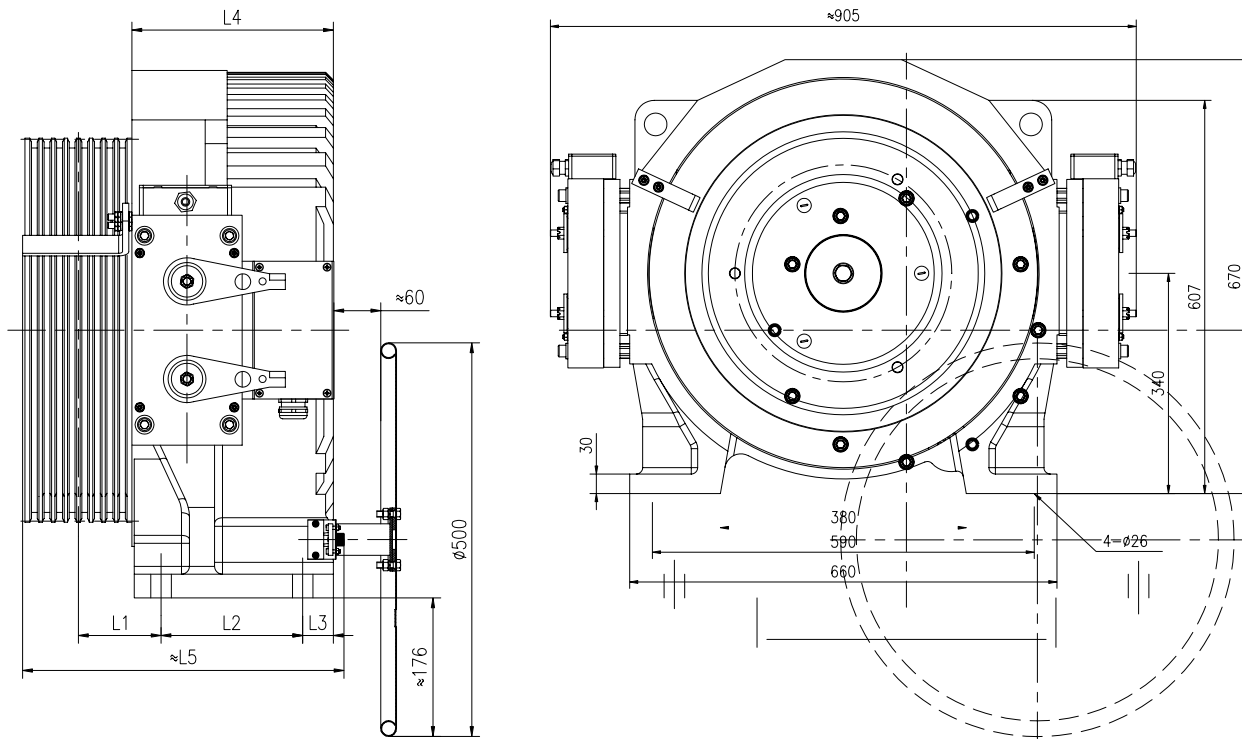
► TDS-IGL21XL



ELEVATOR TRACTION MACHINE

Suspension	2 : 1
Voltage	380V
Pole	32
Rating	S5 (40%)
INS. Class	F
IP Code	IP41
FZD14 Brake	DC110V 2x2A
Max. Static Load	6000 kg
Weight	580 kg

► DIMENSIONS



TECHNICAL DATA

Spec	Load (kg)	Lift Speed (m/s)	Sheave Dia.(mm)	Rope Groove (mm)	Current (A)	Torque (Nm)	Rated Speed (rpm)	Frequency (Hz)	Power (kW)	L1	L2	L3	L4	L5
TDS-IGL21XL-131P0-10MM		1.0			21.3	910	93	24.8	8.9					
TDS-IGL21XL-131P5-10MM	1360	1.5	φ410	7×φ10×16	30.8	910	140	37.3	13.3	112	150	35	222	390
TDS-IGL21XL-131P7-10MM		1.7			35.0	910	163	43.5	15.5					
TDS-IGL21XL-132P0-10MM		2.0			42.4	910	186	49.6	17.7					
TDS-IGL21XL-161P0-10MM		1.0			24.4	1070	93	24.8	10.4					
TDS-IGL21XL-161P5-10MM	1600	1.5	φ410	8×φ10×16	35.6	1070	140	37.3	15.7	112	150	35	222	390
TDS-IGL21XL-161P7-10MM		1.7			41.2	1070	163	43.5	18.3					
TDS-IGL21XL-162P0-10MM		2.0			46.0	1070	186	49.6	20.8					
TDS-IGL21XL-201P0-10MM		1.0			28.4	1270	93	24.8	12.4					
TDS-IGL21XL-201P5-10MM	2000	1.5	φ410	9×φ10×16	44.1	1270	140	37.3	18.6	112	180	29	246	414
TDS-IGL21XL-201P7-10MM		1.7			47.3	1270	163	43.5	21.7					
TDS-IGL21XL-202P0-10MM		2.0			54.4	1270	186	49.6	24.7					
TDS-IGL21XL-131P0-10MM		1.0			19.3	1070	79	21.1	8.9					
TDS-IGL21XL-131P5-10MM		1.5			29.5	1070	118	31.5	13.2					
TDS-IGL21XL-131P7-10MM	1360	1.7	φ485	7×φ10×16	32.2	1070	138	36.8	15.5	105	180	29	246	399
TDS-IGL21XL-132P0-10MM		2.0			37	1070	158	42.1	17.7					
TDS-IGL21XL-132P5-10MM		2.5			45.8	1070	197	52.5	22.1					
TDS-IGL21XL-161P0-10MM		1.0			22.8	1270	79	21.1	10.5					
TDS-IGL21XL-161P5-10MM		1.5			35.6	1270	118	31.5	15.7					
TDS-IGL21XL-161P7-10MM	1600	1.7	φ485	8×φ10×16	38.7	1270	138	36.8	18.4	105	180	39	256	409
TDS-IGL21XL-162P0-10MM		2.0			44.5	1270	158	42.1	21					
TDS-IGL21XL-162P5-10MM		2.5			55	1270	197	52.5	26.2					

REMARK

1. For machine room less, the standard configuration of this machine does not include manual brake release. Customers are required to provide their own electric brake release device.
2. The manual brake release is optional to provide if customer need it.