

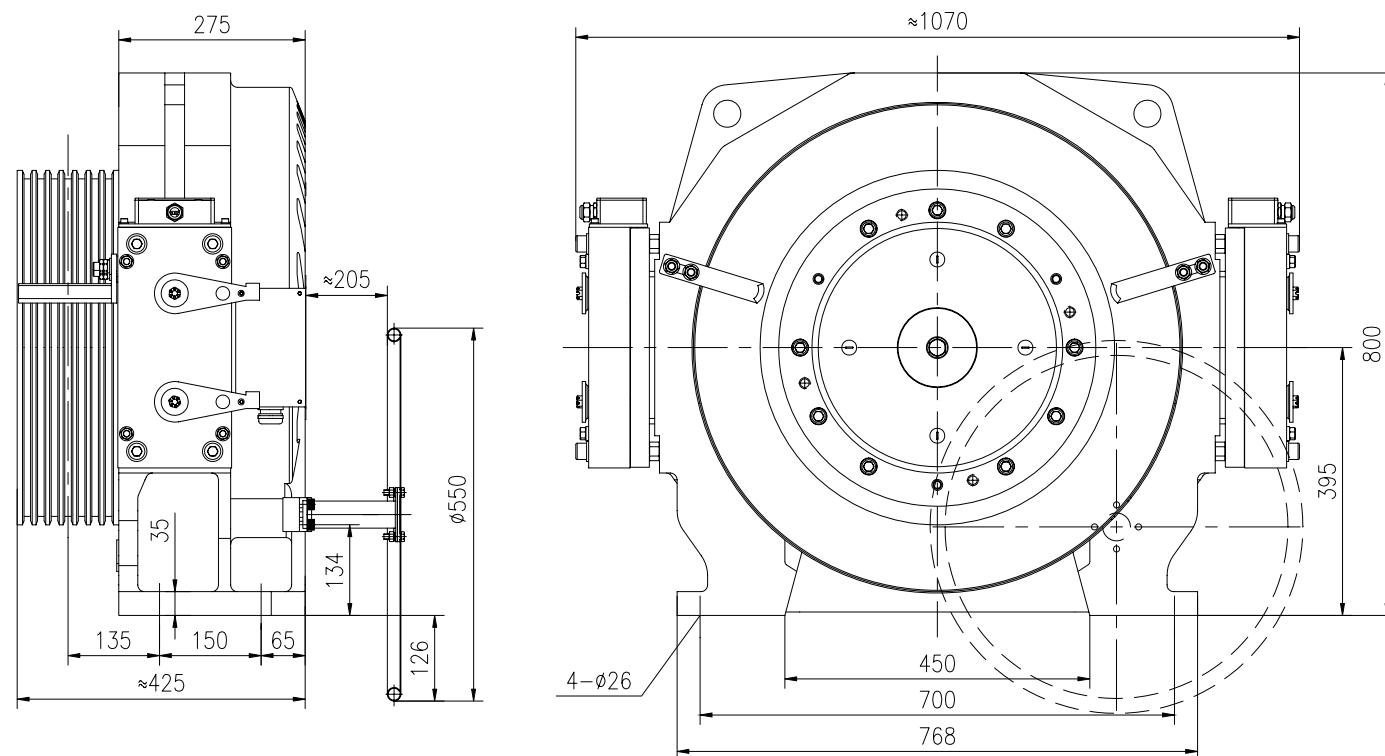
► TDS-IGL36



ELEVATOR TRACTION MACHINE

Suspension	2 : 1
Voltage	380V
Pole	32
Rating	S5 (40%)
INS. Class	F
IP Code	IP41
FZD15 Brake	DC110V 2x2.2A
Max. Static Load	8000 kg
Weight	910 kg

► DIMENSIONS



TECHNICAL DATA

Spec	Load (kg)	Lift Speed (m/s)	Sheave Dia.(mm)	Rope Groove (mm)	Current (A)	Torque (Nm)	Rated Speed (rpm)	Frequency (Hz)	Power (kW)
TDS-IGL36-201P0-13MM		1.0			29.2	1735	73	19.5	13.3
TDS-IGL36-201P7-13MM	2000	1.7	520	6xφ13x20	48.7	1735	128	34.1	23.3
TDS-IGL36-202P0-13MM		2.0			54.6	1735	147	39.2	26.7
TDS-IGL36-202P5-13MM		2.5			74.6	1735	184	49.1	33.4
TDS-IGL36-251P0-13MM		1.0			35.7	2170	73	19.5	16.6
TDS-IGL36-251P7-13MM	2500	1.7	520	7xφ13x20	59.8	2170	128	34.1	29.1
TDS-IGL36-252P0-13MM		2.0			68.3	2170	147	39.2	33.4
TDS-IGL36-252P5-13MM		2.5			91.4	2066	184	49.1	39.8
TDS-IGL36-301P0-12MM		1.0			44.5	2260	79	21.1	18.7
TDS-IGL36-301P7-12MM		1.5			62.5	2260	118	31.5	27.9
TDS-IGL36-301P7-12MM	3000	1.7	485	8xφ12x18	72.5	2260	138	36.8	32.7
TDS-IGL36-252P0-12MM		2.0			83.0	2260	158	42.1	39.8

REMARK

1. For machine room less, the standard configuration of this machine does not include manual brake release. Customers are required to provide their own electric brake release device.
2. The manual brake release is optional to provide if the customer need it.