

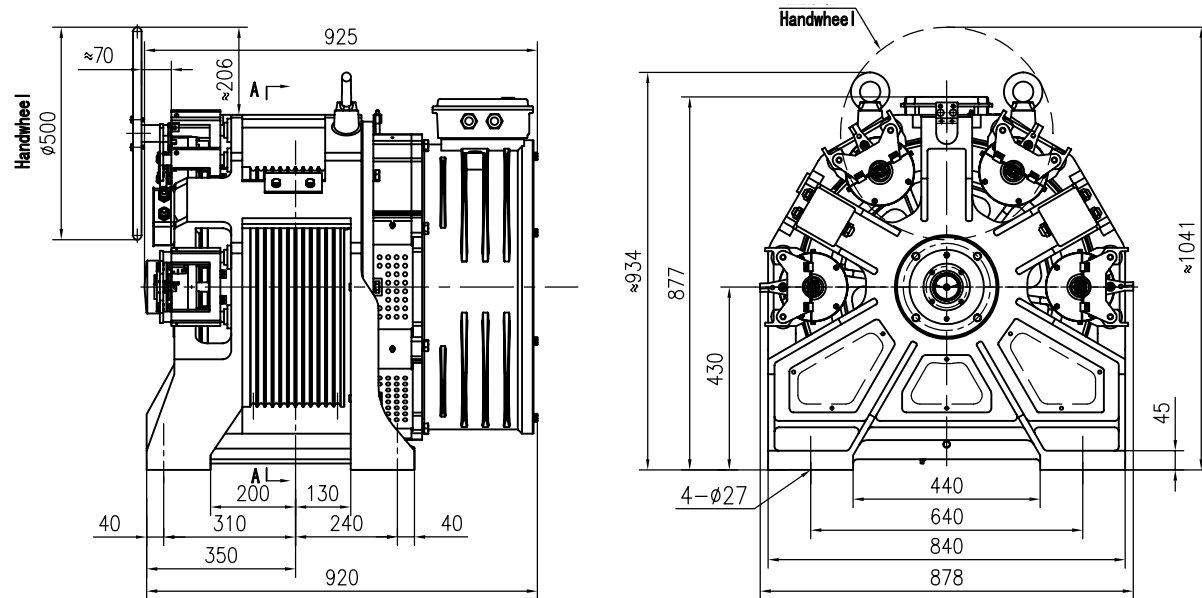


► TDS-IGL54

ELEVATOR TRACTION MACHINE

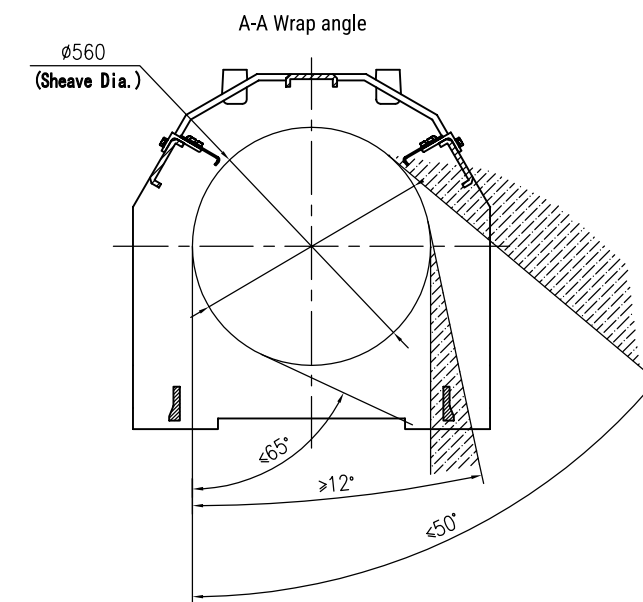
Suspension	2 : 1
Voltage	380V
Pole	20
Rating	S5 (50%)
INS. Class	F
IP Code	IP21
PZD140B Brake	DC110V 2x0.89A
PZD140 Brake	DC110V 4x0.69A
Max. Static Load	14000 kg
Weight	1120 kg

► DIMENSIONS



TECHNICAL DATA

Spec	Load (kg)	Lift Speed (m/s)	Sheave Dia.(mm)	Rope Groove (mm)	Double Roping	Current (A)	Torque (Nm)	Rated Speed (rpm)	Frequency (Hz)	Power (kW)
TDS-IGL54-103P0-13MM	1088	3.0	$\phi 560$	10x $\phi 13$ x18	YES	42.8	955	205	34.2	20.5
TDS-IGL54-104P0-13MM		4.0				56.5	955	273	45.5	27.3
TDS-IGL54-123P0-13MM	1292	3.0	$\phi 560$	10x $\phi 13$ x18	YES	53.3	1190	205	34.2	25.5
TDS-IGL54-124P0-13MM		4.0				72	1190	273	45.5	34
TDS-IGL54-133P0-13MM	1360	3.0	$\phi 560$	10x $\phi 13$ x18	YES	57.2	1290	205	34.2	27.7
TDS-IGL54-134P0-13MM		4.0				75.5	1290	273	45.5	36.9
TDS-IGL54-163P0-13MM	1600	3.0	$\phi 560$	12x $\phi 13$ x18	YES	69.5	1525	205	34.2	32.7
TDS-IGL54-164P0-13MM		4.0				93	1525	273	45.5	43.6
TDS-IGL54-203P0-13MM	2000	3.0	$\phi 560$	12x $\phi 13$ x18	YES	90	1910	205	34.2	41
TDS-IGL54-204P0-13MM		4.0				120	1910	273	45.5	54.3



Note: the angle of the wire rope is around the range shown above, avoiding the shadow part.

REMARK

1. PZD140B for 1000-1350kg; PZD140 for 1600-2000kg.