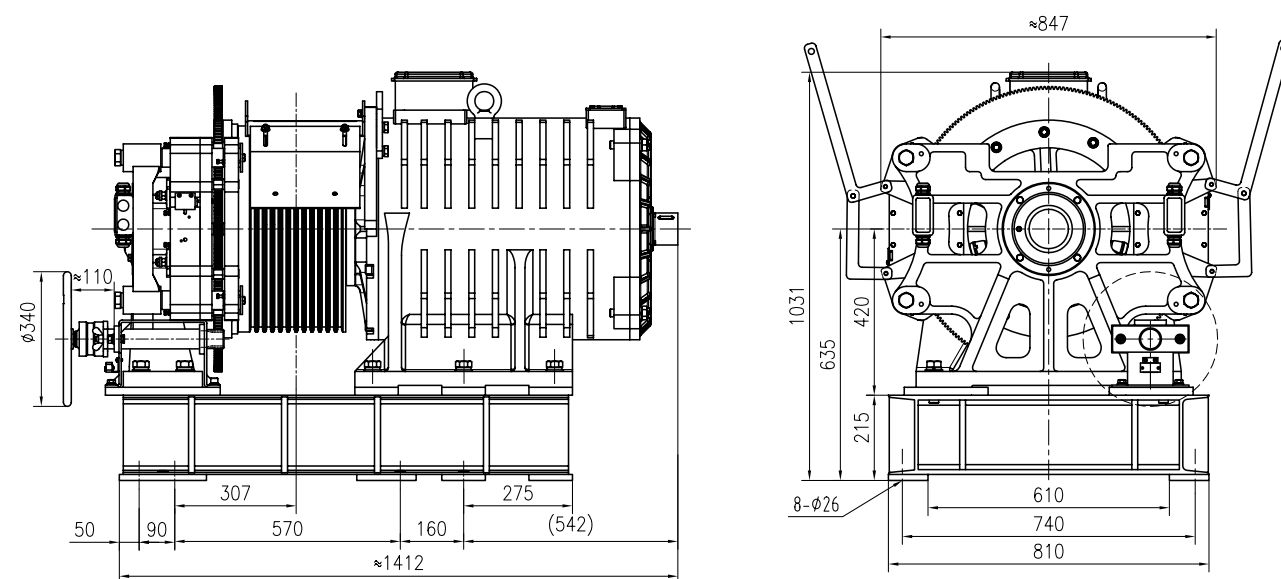


TDS-IGL55

ELEVATOR TRACTION MACHINE

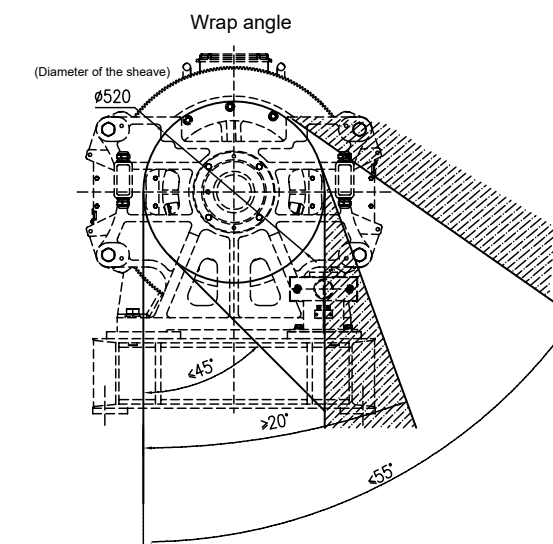
Suspension	2 : 1
Voltage	380V
Pole	32
Rating	S5 (40%)
INS. Class	F
IP Code	IP41
PZD360 Brake	DC110V 2x2.2A
Max. Static Load	14000 kg
Weight	1900 kg

DIMENSIONS



TECHNICAL DATA

Spec	Load (kg)	Lift Speed (m/s)	Sheave Dia.(mm)	Rope Groove (mm)	Current (A)	Torque (Nm)	Rated Speed (rpm)	Frequency (Hz)	Power (kW)
TDS-IGL55-301P0-13MM		1.0			46	2475	73	19.5	18.3
TDS-IGL55-301P5-13MM		1.5			65	2475	110	29.3	28.5
TDS-IGL55-301P7-13MM	3000	1.7	φ 520	8×φ 13×20	77	2475	128	34.1	33.2
TDS-IGL55-302P0-13MM		2.0			87	2475	147	39.2	38.1
TDS-IGL55-302P5-13MM		2.5			111	2475	184	49.1	47.7
TDS-IGL55-401P0-13MM		1.0			61	3330	73	19.5	24.5
TDS-IGL55-401P5-13MM		1.5			91	3330	110	29.3	36.9
TDS-IGL55-401P7-13MM	4000	1.7	φ 520	10×φ 13×20	104	3330	128	34.1	42.9
TDS-IGL55-402P0-13MM		2.0			122	3330	147	39.2	49.3
TDS-IGL55-402P5-13MM		2.5			157	3300	184	49.1	63.3
TDS-IGL55-501P0-13MM		1.0			72	4000	73	19.5	30.6
TDS-IGL55-501P5-13MM	5000	1.5	φ 520	12×φ 13×20	105	4000	110	29.3	46.1
TDS-IGL55-501P7-13MM		1.7			124	4000	128	34.1	53.6
TDS-IGL55-502P0-13MM		2.0			142	4000	147	39.2	61.6



Note: the angle of the wire rope is around the range shown above, avoiding the shadow part.

REMARK

1. The machine can't be configured with the remote manual brake release.
2. The recommended undercut angle for the groove of this machine is 105 °, and it's optional according to practical condition.